



Innovative Foodservice Equipment Custom
Designed for Performance, Service and Value.

INSTALLATION AND OPERATING INSTRUCTIONS

BevLes Economy Series Heated Holding Cabinets

**Models: HC60-MP9
HC70-MP12
HC60-ES24
HC70-ES32**

**INTENDED FOR OTHER THAN HOUSEHOLD USE
RETAIN THIS MANUAL FOR FUTURE REFERENCE
UNIT MUST BE KEPT CLEAR OF COMBUSTIBLES AT ALL TIMES**



FOR YOUR SAFETY

Do not store or use gasoline or other flammable vapors and liquids in the vicinity of this or any other appliance.



WARNING

Improper installation, adjustment, alteration, service or maintenance can cause property damage, injury or death. Read the Installation, Operating and Maintenance Instructions thoroughly before installing or servicing this equipment.



This equipment has been engineered to provide you with year round dependable service when used according to the instructions in this manual and standard commercial kitchen practices.

P/N 780084 4/06

Phone: +1 (214) 421-7366
Fax: +1 (214) 565-0976
Toll Free: +1 (800) 441-1601
Website: www.BevLes.com
E-mail: sales@BevLes.com

BevLes
729 Third Avenue
Dallas, TX 75226

OPERATING INSTRUCTIONS

1. Remove aluminum water pan cover.
2. Fill water pan to 3/4 full (if cabinet is cold, hot tap water is recommended). You may operate the cabinet with or without the aluminum water cover.
3. Press power switch to "ON" position.
4. To select desired cabinet temperature:
 - A. Press **SET** key under cabinet temperature display.
 - B. Press **INCREASE** key or **DECREASE** key to adjust cabinet temperature.
 - C. Press **SET** key to lock-in desired cabinet temperature.

Cabinet should operate for a minimum of 30 minutes before placing product in cabinet.

Note: Cabinet may be operated with or without humidity.

If cabinet is operated with humidity you may require the optional drip trough to accumulate excess humidity that may drain from the cabinet. The drip trough attaches "slides on" to the front of the base under the control panel.

MAINTENANCE

CLEANING: This cabinet was designed and built for maximum sanitation. It is not self-cleaning, so it should be cleaned frequently with soap and water.

1. **NEVER USE STEEL WOOL OR CAUSTIC CLEANING COMPOUNDS.**
2. Make sure that the unit is turned OFF and unplugged from the electrical service.
3. Remove the aluminum water pan cover.
4. Remove the pan supports and vertical standards.
5. Remove the vent from the rear wall.
6. Clean inside of cabinet with soap and water.

If necessary, the humidity-heated module can be removed by loosening the two (2) knurled knobs (one located at each side on the module on the exterior of the cabinet). The module can be pulled out of cabinet for additional cleaning. We suggest that you clean the water pan at least once a month with a solution of white vinegar and hot water. Allow white vinegar to remain in water pan overnight. Then use a soft cloth to wipe away any mineral buildup.

IMPORTANT: When placing the humidity/heating module back in the cabinet, be sure to place the one inch air flow opening behind the cabinet back vent that hangs on the rear wall. This is necessary to maintain uniform temperature and humidity distribution.

SERVICE

Phone the BevLes Company Manufacturing Facilities for the nearest authorized service representative in your area (214) 421-7366 or toll free (800) 441-1601. If replacement parts are ever required, only use parts approved by the manufacturer.

IMPORTANT FOR FUTURE REFERENCE

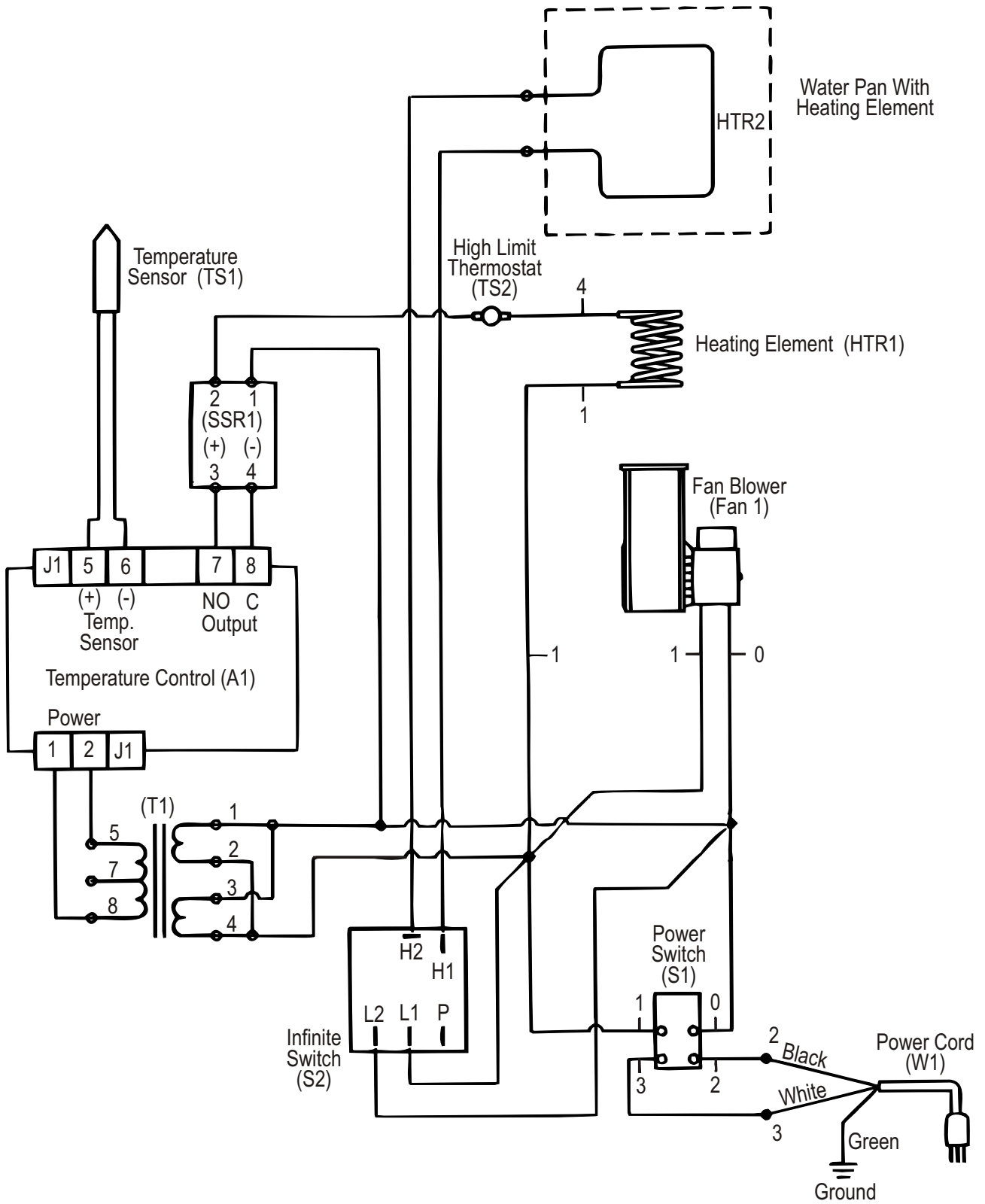
Please complete this information and retain this manual for the life of the equipment. For Warranty Service and/or Parts, this information is required.

Model Number

Serial Number

Date Purchased

WIRING DIAGRAM ECONOMY SERIES HOT HOLDING CABINETS





BEVLES COMPANY LIMITED WARRANTY

729 Third Avenue * Dallas, TX 75226

Phone: +1 (214) 421-7366 Fax: +1 (214) 565-0976

1. Bevles warrants to the original purchaser that on the date the equipment is shipped (sold), it will be free of defects in materials or workmanship. Bevles will, at it's discretion, repair or replace, during the warranty period printed below, any part that has a defect in material or workmanship that was present when the product shipped from Bevles, and which manifests itself during the warranty period under normal use and service.
 - Parts: Two* years from date of original shipment from the Bevles factory.
 - Labor: One** year from date of original shipment from the Bevles factory.

* Air Circulation Blower Assemblies (motors) and Power Switches shall be one year from date of original shipment.

Calrod "Air" Heating Elements shall be three years from date of original shipment.

** All electrical components 120 days from date of original shipment.
2. Bevles must be contacted, and pre-approval must be issued by the Bevles factory prior to any type of service being performed. Bevles assumes no responsibility for any charges that were not expressly authorized by the Bevles factory, or for any charges that exceed, in Bevles' sole judgement, normal and customary amounts.
3. Bevles will pay UPS Ground charges for any part that has a defect in material or workmanship that was present when the product shipped from Bevles, and which manifests itself during the **first year** of the warranty period under normal use and service. All warranty replacement parts will ship F.O.B. Bevles factory, Cheyenne, WY 82007..
4. This warranty shall be void in its entirety if any abuse of, misuse of, alteration/modification of or improper maintenance of original product occurs. If, at any time a claim is reported to Bevles, the purchaser is delinquent in payment for the product, warranty will not apply.
5. Buyer's Remedies-If a Bevles product fails due to a defect in material or workmanship in conformity with the warranties in paragraph one, buyer shall notify Bevles of such failure within a reasonable time, but in no event beyond fifteen (15) days of such discovery of defect in material or workmanship. Bevles shall provide, in its sole discretion, either the repair or replacement of any defective or any non-conforming part. Bevles specifically disavows any other representation, warranty or liability relating to the continued use of the product.
6. Exclusion of consequential and incidental damages-In no event shall Bevles be liable for any incidental, special, indirect, or consequential damages, whether resulting from non-delivery or from the use, misuse, or inability to use the product, or from defects in the product, or from Bevles' own negligence or other tort. This exclusion applies regardless of whether such damages are sought for breach of warranty, breach of contract, negligence, or strict liability in tort or under any other legal theory.
7. Disclaimer of warranties-The warranties contained in paragraph one above are the exclusive warranties given by Bevles and supersede any prior, contrary, or additional representations, whether oral or written. Bevles hereby disclaims and excludes all other warranties-whether expressed, implied, or statutory-including any warranty of merchantability, any warranty of fitness for a particular purpose, and any implied warranties otherwise arising from course of dealing or usage of trade.