

Design Features

- A combination of heavy-duty light weight extrusions and high grade aluminum parts produce strong, durable, high quality dollies
- Dollies are specifically designed to meet exacting industry requirements
- Heavy-duty plate-type casters provide years of dependable service



Quality Construction

- Aluminum construction
- D-1 and D-1A models have heavy-duty extruded frames heliarc welded at corners
- D-2020 and D-45 models have formed and riveted sheet metal base/frame construction
- Heavy-duty plate-type casters provide stability as well as easy maneuverability

Options & Accessories

- Corner bumpers
- Perimeter bumper
- Wheel brakes

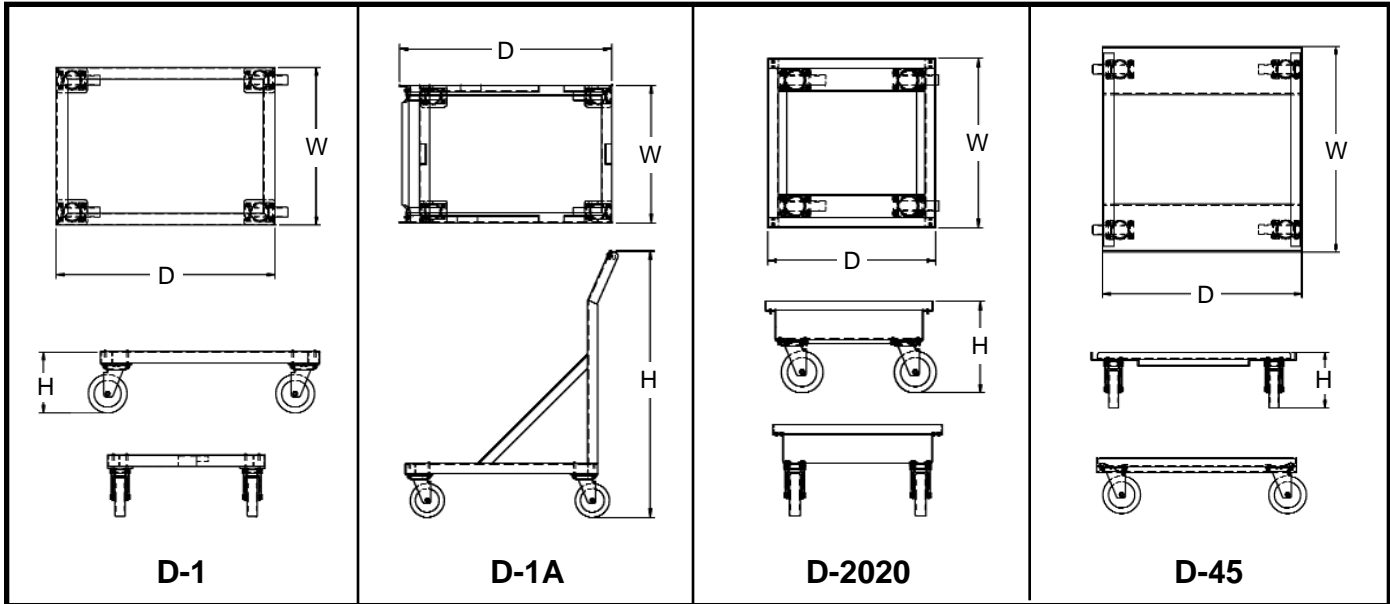
Warranty & Certifications

Parts and Service Warranty

- Protected by BevLes 2 year parts and 1 year service warranty

Certified by the following:





Model	Capacity	Dimensions			Ship Wt.	Act. Wt.
		H	W	D		
D-1 Bun Pan Dolly	800 lbs (363 kg)	8" (20.3 cm)	20½" (52.1 cm)	28½" (72.4 cm)	20 lbs (9.1 kg)	14 lbs (6.4 kg)
D-1A Bun Pan Dolly	800 lbs (363 kg)	37" (93.9 cm)	20½" (52.1 cm)	30½" (77.5 cm)	23 lbs (10.4 kg)	16 lbs (7.3 kg)
D-2020 Dish Basket	800 lbs (363 kg)	11" (27.9 cm)	20½" (52.1 cm)	20½" (52.1 cm)	17 lbs (7.7 kg)	11 lbs (5.0 kg)
D-45 School Lunch Basket Dolly	1100 lbs (499 kg)	8.5" (20.3 cm)	27½" (69.9 cm)	26½" (67.3 cm)	30 lbs (13.6 kg)	24 lbs (10.9 kg)

Construction

- D-1 and D-1A dollies have all welded construction
- Base frame consists of 1½" square tubing heliarc welded at corners
- .190 aluminum caster mounting plates are welded to corners of base frame
- D-1A dolly provided with handle consisting of extruded angle and extruded bar welded to base frame
- D-2020 dolly has riveted construction
- All parts are .100 aluminum
- D-45 dolly has unitized construction
- Parts consist of .190 aluminum and 1" x 1½" extruded angle
- All parts are bolted together

Casters

- Heavy-duty plate-type casters, all swivel, with 5" neoprene wheels

Shipping

- Freight Class: 125
- FOB: Cheyenne, WY 82007

* Note: Modifications involving casters or legs may affect height of equipment. Specifications subject to change without notice.