



TRANSI-TRAY CABINETS

Heavy-Duty Insulated

Models: CA71-IN39 CA71-IN59

Design Features

- Used for short transport and temporary holding of cold products
- Front mounted horizontal tie bar reinforces cabinet and functions as a handle when door is opened in 270° position
- Magnetic door gasket and positive closing latch provide an air tight seal
- Polyurethane wheels provide durability and easy mobility
- Pan supports are offered in 1½" or 1" spacing.



Quality Construction

- Aluminum construction
- Interlocking extruded inner side panels
- Heavy-duty, 270° swing stainless steel hinges
- Fully insulated with polyurethane board insulation
- Two drop handles mounted on rear of cabinet
- One piece outer base with welded corners
- Heavy-duty plate type casters, all swivel with 5" polyurethane wheels - front two casters with brakes

Options & Accessories

- Perimeter bumper
- Corner bumpers
- Push/pull handles
- Door hinging (left)

Warranty & Certifications

Parts and Service Warranty

- Protected by BevLes 2 year parts and 1 year service warranty

Certified by the following:

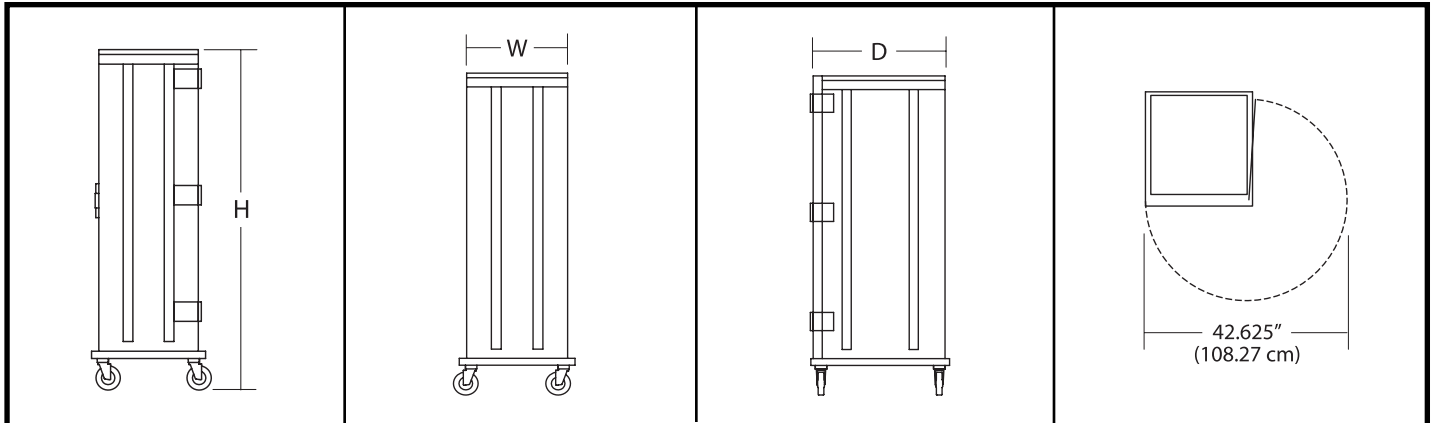




TRANSI-TRAY CABINETS

Heavy-Duty Insulated

Models: CA71-IN39 CA71-IN59



Model	Capacity			Dimensions			Ship Wt.	Act. Wt.
	18x26	12x20	SPC'G*	H	W	D		
CA71-IN39	39	---	1½"	71" (180.3 cm)	24" (61 cm)	30.5" (80 cm)	206 lbs (93.4 kg)	
CA71-IN59	59	---	1"	71" (180.3 cm)	24" (61 cm)	30.5" (80 cm)	215 lbs (97.5 kg)	

Construction:

- **Body:** .063 aluminum exterior
- **Door:** .100 aluminum exterior
- **Door Latch and Hinges:** Patented positive action latch with heavy-duty, 11 ga. stainless steel 270° swing hinges
- **Base:** .190 aluminum with welded corners
- **Insulation:** Fully insulated back, sides, top, base, and door with 1" polyurethane board
- **Tie Bar:** Heavy-duty extruded tie bar (½" x ¾" x 18¼")

Pan Support Assembly:

- **Pan Supports:** Aluminum extrusion .075" thick with interlocking "V" seam to provide sanitary joint – 9/16" wide ledges on 1 1/2" or 1" centers

Casters:

- Heavy-duty plate type casters, all swivel, with 5" polyurethane wheels; front two casters with brakes

Shipping:

- Freight Class: 125
- FOB: Erie, PA 1651

* Note: Modifications involving casters or legs may affect height of equipment. Specifications subject to change without notice.



Mailing: 729 Third Ave., Dallas, TX 75226 • Shipping: 1938 Wyatt Dr., Cheyenne, WY 82007
 (800) 441-1601 • Fax: (214) 565-0976 • www.bevles.com • sales@bevles.com

4/20/05
 #B402