



ROAST & HOLD OVENS

Tender Touch Classic Half-Size 120V

Models: CS34-TC9+ CS34-TC10 CS43-TC14+ CS43-TC15 CS34-TCMP4 CS43-TCMP5+ CS43-TCMP6

Design Features

- User-friendly solid state controls with digital display
- Standard Pass-Thru design speeds cleaning by eliminating hard-to-reach corners – makes loading and unloading quick and easy
- Power loss alarm informs operator of power failure, that exceeds 3 minutes, during unattended roasting or holding cycles
- Roast and hold temperature range of 145°F - 245°F (63°C - 118°C)
- Timer range allows a maximum roasting time of 16 hours
- Heavy-duty Sealed Power Switch – protects from water, grease and dirt
- Top mounted convection heat and humidity system with high wattage heating element maintains even temperatures throughout the oven ensuring quick preheating and rapid recovery



Quality Construction

- All stainless steel construction provides years of dependable use in all types of environment
- Top mounted heat and humidity system is easily removable for cleaning and service
- High Quality Lexan® Front Panel Decal allows for easy cleaning
- Door features include magnetic gasket to prevent heat loss, heavy-duty hinges and positive-closing latch

Options & Accessories

- Corner bumpers
- Perimeter bumper
- Door hinging
- Chrome electro-plated wire roasting racks
- 4" or 5" casters

Warranty & Certifications

Parts and Service Warranty

- Protected by BevLes 2 year parts and 1 year service warranty

Certified by the following:

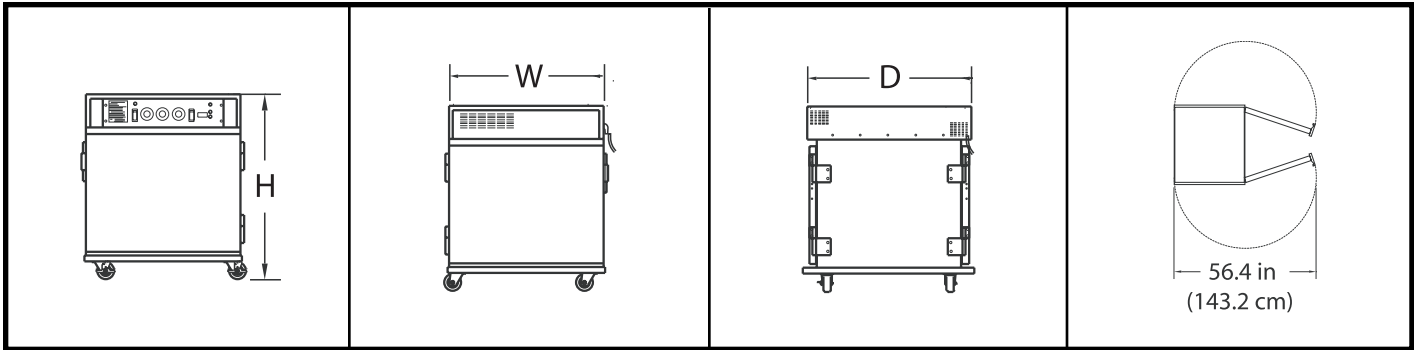




ROAST & HOLD OVENS

Tender Touch Classic Half-Size 120V

Models: CS34-TC9+ CS34-TC10 CS43-TC14+ CS43-TC15 CS34-TCMP4 CS43-TCMP5+ CS43-TCMP6



Model	Capacity			Dimensions			Ship Wt.	Act. Wt.	
	18x26	12x20	SPC'G	H	W	D			
Standard Width									
CS34-TC9+	9	---	1½"	34" (86.4 cm)	25" (63.5 cm)	31" (78.7 cm)	195 lbs (88.5 kg)	180 lbs (81.6 kg)	
CS34-TC10	10	---	1½"	34" (86.4 cm)	25" (63.5 cm)	31" (78.7 cm)	195 lbs (88.5 kg)	180 lbs (81.6 kg)	
CS43-TC14+	14	---	1½"	43" (109.2 cm)	25" (63.5 cm)	31" (78.7 cm)	235 lbs (106.6 kg)	220 lbs (99.8 kg)	
CS43-TC15	15	---	1½"	43" (109.2 cm)	25" (63.5 cm)	31" (78.7 cm)	235 lbs (106.6 kg)	220 lbs (99.8 kg)	
Universal Width									
CS34-TCMP4	4	8	¾"	34" (86.4 cm)	29" (73.7 cm)	31" (78.7 cm)	210 lbs (95.3 kg)	195 lbs (88.5 kg)	
CS43-TCMP5+	5	10	¾"	43" (109.2 cm)	29" (73.7 cm)	31" (78.7 cm)	255 lbs (115.7 kg)	240 lbs (108.9 kg)	
CS43-TCMP6	6	12	¾"	43" (109.2 cm)	29" (73.7 cm)	31" (78.7 cm)	255 lbs (115.7 kg)	240 lbs (108.9 kg)	

Electrical	Voltage	Watts	Amps	Electric Service	Phase	Hertz	Clearances
Standard	120	2000	16	20A Dedicated Circuit	1	50/60	Sides, Back, & Top = 0"

(+) designates models equipped with humidity system

Specifications:

- **Exterior Body:** 20 ga. 304 #3 stainless steel
- **Interior Body:** 20 ga. 304-2B stainless steel
- **Exterior Door:** 20 ga. 304 #3 stainless steel
- **Interior Door:** 22 ga. auto-brite stainless steel
- **Base:** 14 ga. 304-2B stainless steel
- **Door Gasket(s):** Magnetic, NSF approved Santoprene
- **Insulation:** Fully insulated sides, base, top and door(s) with 1.5" fiberglass insulation (5.7 R-Factor and minimum rating of .26K per inch)

Electrical:

- **Switch:** Custom sealed heavy-duty 20 Amp
- **Cord & Plug:** 120V models, 8' cord with 20 Amp molded plug (NEMA 5-20P)

Castors:

- Heavy-duty plate type casters, all swivel, with 5" hard neoprene wheels; front two casters with brakes (CS34 series feature 3" casters)

Heating Modules & Controls:

- **Heating Module:** Removable for maintenance and cleaning
- **Humidity System:** Models CS34-TC9+, CS43-TC14+, & CS43-TCMP5+ are equipped with a 9 quart (8.5 liter) stainless steel water reservoir with adjustable baffles
- **Fan Blower:** 1-piece modular drop-in design blower assembly

Pan Support Assembly:

- CS34-TC9+ & TC10, CS43-TC14+ & TC15 models have heavy-duty extruded aluminum panels with pan supports on 1½" centers (pans are lip supported)
- CS34-TCMP4, CS43-TCMP5+ & TCMP6 models have 22 ga. stainless steel (air duct) panels with heavy-duty chrome electro-plated wire pan supports adjustable on 1 5/8" centers (pans are bottom supported)

Shipping:

- Freight Class: 85
- FOB: Erie, PA 16511

* Note: Modifications involving casters or legs may affect height of equipment. Specifications subject to change without notice.

