



# ROAST & HOLD OVENS

## Tender Touch Classic Stacked 120V

Models:  CS82-TC28+  CS82-TC30  CS82-TCMP10+  CS82-TCMP12

### Design Features

- User-friendly solid state controls with digital display
- Standard Pass-Thru design speeds cleaning by eliminating hard-to-reach corners – makes loading and unloading quick and easy
- Power Loss Alarm informs operator of power failure, that exceeds 3 minutes, during unattended roasting or holding cycles
- Roast and hold temperature range of 145°F - 245°F (63°C - 118°C)
- Timer range allows a maximum roasting time of 16 hours
- Heavy-duty Sealed Power Switch – protects from water, grease and dirt
- Top mounted convection heat and humidity system with high wattage heating element maintains even temperatures throughout the oven ensuring quick preheating and rapid recovery
- Stacked ovens provide the opportunity to roast and/or hold different products at the same time
- Stacked design features the versatility of having two separate ovens occupying the floor space of one



### Quality Construction

- All stainless steel construction provides years of dependable use in all types of environment
- Top mounted heat and humidity system is easily removable for cleaning and service
- High Quality Lexan® Front Panel Decal allows for easy cleaning
- Door features include magnetic gasket to prevent heat loss, heavy-duty hinges and positive-closing latch

### Options & Accessories

- Corner bumpers
- Perimeter bumper
- Door hinging
- Chrome electro-plated wire roasting racks
- 4" or 5" casters

### Warranty & Certifications

#### Parts and Service Warranty

- Protected by BevLes 2 year parts and 1 year service warranty

#### Certified by the following:

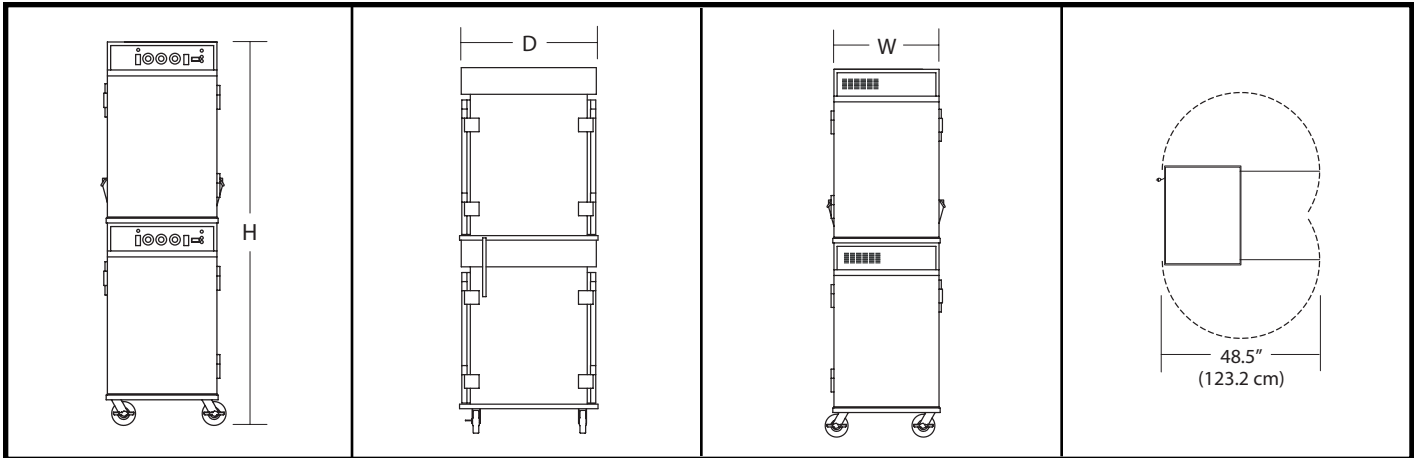




# ROAST & HOLD OVENS

## Tender Touch Classic Stacked 120V

Models:  CS82-TC28+  CS82-TC30  CS82-TCMP10+  CS82-TCMP12



Model	Capacity			Dimensions			Ship Wt.	Act. Wt.
	18x26	12x20	SPC'G	H	W	D		
<b>Standard Width</b>								
CS82-TC28+	28	---	1½"	82" (208.3 cm)	25" (63.5 cm)	31" (78.7 cm)	455 lbs (206.4 kg)	440 lbs (199.6 kg)
CS82-TC30	30	---	1½"	82" (208.3 cm)	25" (63.5 cm)	31" (78.7 cm)	455 lbs (206.4 kg)	440 lbs (199.6 kg)
<b>Universal Width</b>								
CS82-TCMP10+	10	20	¾"	82" (208.3 cm)	29" (73.7 cm)	31" (78.7 cm)	480 lbs (158.8 kg)	465 lbs (210.9 kg)
CS82-TCMP12	12	24	¾"	82" (208.3 cm)	29" (73.7 cm)	31" (78.7 cm)	480 lbs (158.8 kg)	465 lbs (210.9 kg)

Electrical	Voltage	Watts	Amps	Electric Service	Phase	Hertz	Clearances
Standard	120	2000	16	20A Dedicated Circuit	1	50/60	Sides, Back, & Top = 0"

(+) designates models equipped with humidity system

### Specifications:

- **Exterior Body:** 20 ga. 304 #3 stainless steel
- **Interior Body:** 20 ga. 304-2B stainless steel
- **Exterior Door:** 20 ga. 304 #3 stainless steel
- **Interior Door:** 22 ga. auto-brite stainless steel
- **Base:** 14 ga. 304-2B stainless steel
- **Door Gasket(s):** Magnetic, NSF approved Santoprene
- **Insulation:** Fully insulated sides, base, top and door(s) with 1.5" fiberglass insulation (5.7 R-Factor and minimum rating of .26K per inch)

### Electrical:

- **Switch:** Custom sealed heavy-duty 20 Amp
- **Cord & Plug:** 120V models, 8' cord with 20 Amp molded plug (NEMA 5-20P)

### Casters:

- Heavy-duty plate type casters, all swivel, with 5" hard neoprene wheels; front two casters with brakes

### Heating Modules & Controls:

- **Heating Module:** Removable for maintenance and cleaning
- **Humidity System:** Models CS82-TC28+ & CS82-TCMP10+ are equipped with a 9 quart (8.5 liter) stainless steel water reservoir with adjustable baffles
- **Fan Blower:** 1-piece modular drop-in design blower assembly

### Pan Support Assembly:

- CS82-TC28+ & CS82-TC30 models have heavy-duty extruded aluminum panels with pan supports on 1½" centers (pans are lip supported)
- CS82-TCMP10+ & CS82-TCMP12 models have 22 ga. stainless steel (air duct) panels with heavy-duty chrome electro-plated wire pan supports adjustable on 1 5/8" centers (pans are bottom supported)

### Shipping:

- Freight Class: 85
- FOB: Erie, PA 16511

\* Note: Modifications involving casters or legs may affect height of equipment. Specifications subject to change without notice.

