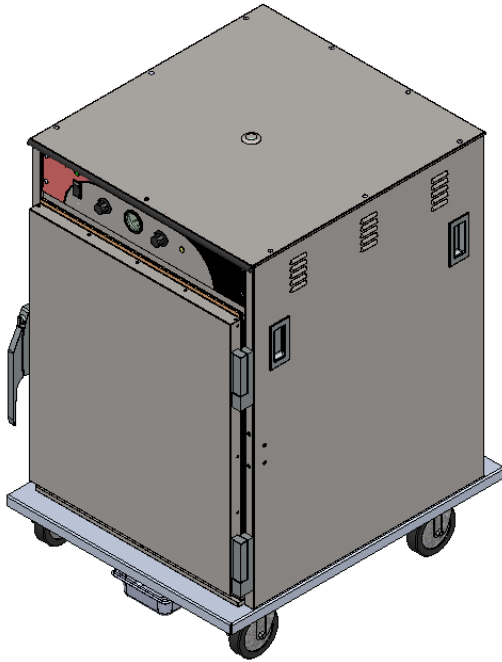




Climate Select Heated Holding Cabinet with Humidity

Innovative Foodservice Equipment Custom Designed For Performance, Service and Value

Quality Proofing and Holding Cabinets



Model HCSS44W6

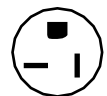


HALF SIZE
UNIVERSAL WIDTH MODEL

HCSS44W6

Standard Features:

- Temperature adjustable from 60°F (15.6°C) to 215°F (102°C) for heating and holding a variety of foods
- Heating/Humidity system maintains proper combination of heat and humidity throughout cabinet
- Individual thermostats: regulate humidity levels by controlling air and water temperatures, System allows for humidity level to 95%
- Solid state controls provide the highest degree of accuracy and reliability, prepared foods are held at a consistent serving temperature
- Fully insulated cabinet prevents heat loss and keeps foods hot and ready to serve, side air tunnel system circulates air evenly throughout the cabinet with minimal heat loss when doors are opened
- Completely removable interior components for quick and easy cleaning
- Drip trough drains into pan located under base
- Welded wire pan supports accept a variety of pans and screens
- All stainless steel & aluminum construction
- Heavy-duty plate-type casters with 5" hard neoprene wheels, front two with brakes
- Heavy duty field reversible doors with self closing lift off hinges and magnetic latches
- Magnetic door gaskets
- Recessed stainless steel side mounted (front and rear) pull grips provide easy mobility
- 120V, 20A, 1PH service standard NEMA 5-20P

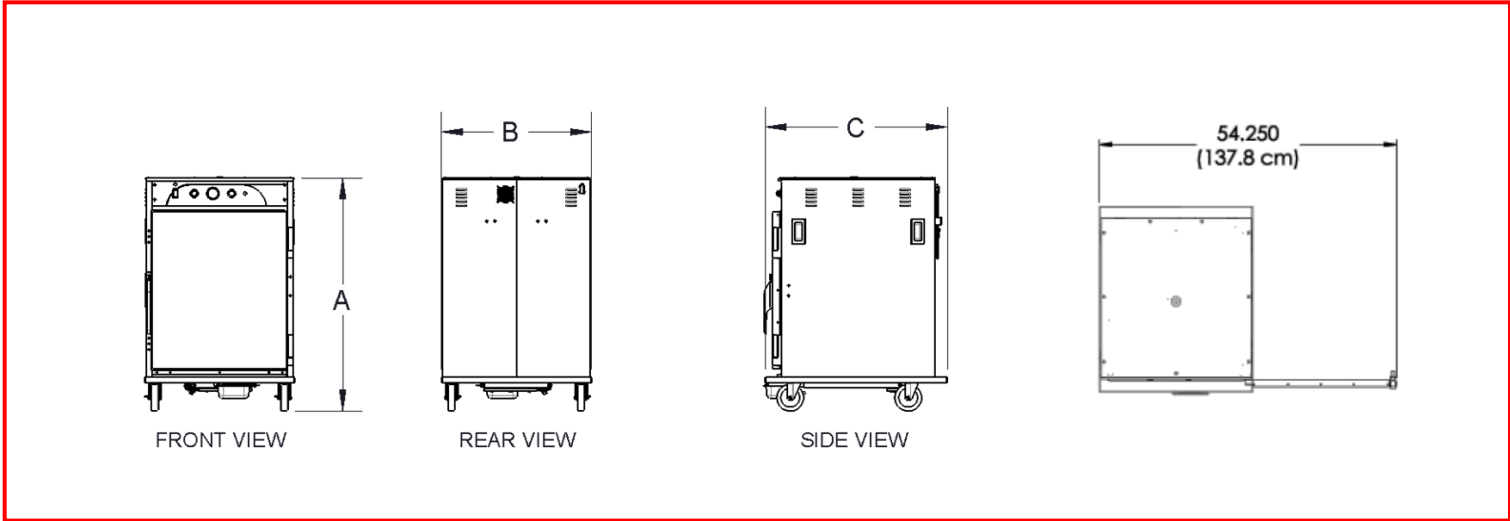


NEMA 5-20



Climate Select Heated Holding Cabinet with Humidity

Item No. _____
 Approval: _____
 Date: _____



BEVLES MODEL NO.	CAPACITY			DIM A (H)		DIM B (W)		DIM C (D)		INSIDE HGHT		SHIP WT.		ACTUAL WT.	
	18x26	12x20	*SPC'G	IN	CM	IN	CM	IN	CM	IN	CM	LBS	KGS	LBS	KGS
HCSS446	6	12	4.5	43.50	111	28	71	34	87	28	71	295	134	245	111

* Adjustable on 1.50" centers ** Also accommodates 19" x 19" and 23" x 23" screens

ELECTRICAL	VOLTAGE	WATTS	AMPS	ELECTRIC SERVICE	PHASE	HERTZ	CLEARANCES
STANDARD	120	1950	16	20A Dedicated Circuit	1	60	ZERO CLEARANCE CABINET
OPTIONAL	208-230	2750	13/12	15A Dedicated Circuit	1	50/60	ZERO CLEARANCE CABINET

Construction:

- Exterior 20 ga 304 #3 finish stainless steel
- Interior 22 ga 304 2B finish stainless steel
- Exterior door panel 20 ga 304 #3 stainless steel
- Interior door panel 22 ga 400 BA finish stainless steel
- Internal framework 18 ga 304 stainless steel
- Full insulated doors, back, sides, top and base
- Latch Heavy duty magnetic door latch with cool-to-touch handle and turn knob lock
- Hinges Heavy duty lift off self-closing, chrome plated
- Door Gasket Magnetic NSF approved Santoprene
- Base: .125 Formed aluminum with welded corners
- Side air ducts 22 ga 304 2B Stainless steel

PAN SUPPORTS:

- Pan Supports welded wire 304 stainless steel pan supports adjustable on 1.50" centers

HEATING MODULE & CONTROLS:

- Top mounted dual coil heating unit elements rated at 600 watts @ 120v, or 1000 watts @ 208-230v
- (4) Gal. Water pan with separate 750 watt heating element
- Easy to operate controls feature precision variable thermostat, variable humidity control and dial thermometer

- Low water level indicator light
- Cord and Plug: 8' cord with 20A molded plug (NEMA 5-20P); 208/230 volt models provided with cord only

CASTERS:

- Heavy-duty plate type casters, with 5" hard neoprene wheels; all swivel, with wheel brakes on front two casters

OPTIONS AND ACCESSORIES

- Left hand door hinging
- Stainless steel push handles
- Magnetic latch with key lock
- Corner bumpers of gray non-marking vinyl (set of 4)
- Perimeter bumper of gray non-marking vinyl
- Additional universal pan supports
- 6" stainless steel legs with adjustable feet for stationary floor installation*
- 6" casters with soft rubber wheels
- 18" x 26" chrome electroplated wire racks
- 208-230-50/60Hz electrical service

* Note: Modifications involving casters or legs may affect height of equipment. Specifications subject to change without notice