



# UNDER COUNTER HEATER PROOFER

Innovative Foodservice Equipment Custom Designed For Performance, Service and Value

## Under Counter Heater Proofer



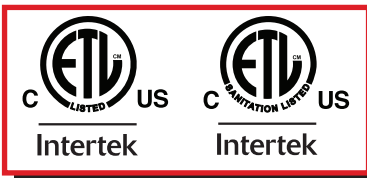
HPC-3414



HPIC-3414



HPIS-3414



### 3414 Series

Under Counter Heater Proofer Models

- HPC-3414 Clear door, non-insulated**
- HPIC-3414 Clear door, insulated**
- HPIS-3414 Solid door, insulated**

#### **Designed for Heating and Proofing.**

- Heating mode: with adjustable settings keeps cabinet temperatures up to 185°F (85°C).
- Proof mode: adjusts humidity between 30% and 95% and temperature up to 115°F (46°C).

#### **Standard Features:**

- Air baffle design and forced air circulation.
- Easy to read LED thermometer.
- Extrude and anodized aluminum frame will not dull.
- Insulated door and cabinet with as low as 0.04W m2.K with thickness of 1.2 inch.
- Corner bumpers prevent unit from impact.
- 0.1 inch thick aluminum base for reinforced support.
- Removable control drawer for quick clean and maintenance.
- (4) 3" casters for excellent mobility. (2) are with top front-brake.
- 6.3 feet long cable with NEMA5-15P plug. Includes special cable cover to prevent damage.

#### **DOOR OPTIONS [Field Reversible]**

- Clear: Lexan clear door
- Solid: Double layer aluminum

#### **CAPACITY**

- Holds up to 14 full size sheet pans;  
1 1/2" of clearance between slides.

Heating Mode: 1500W

Proofing Mode: 1500W

Allows for use on 15A dedicated circuit.

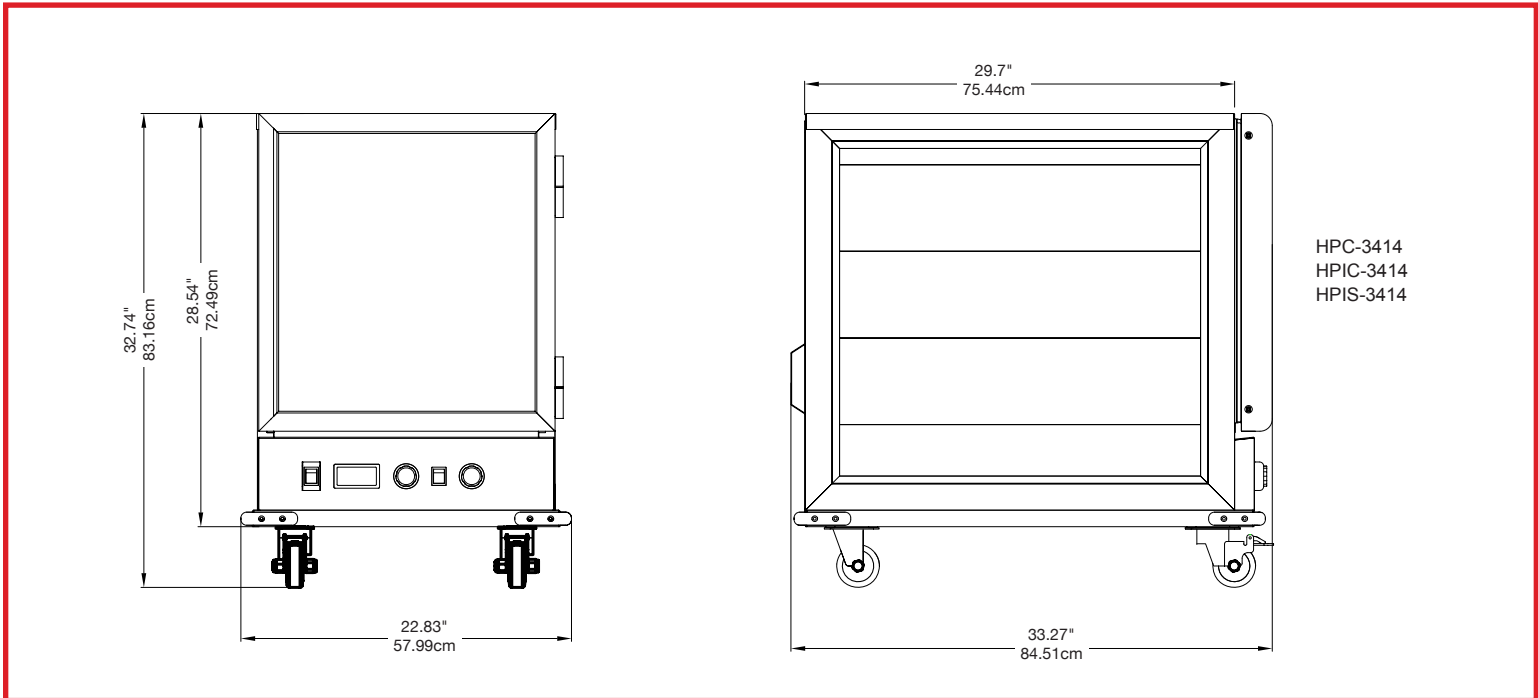
Save up to 30% energy with insulated unit.

also available in 220/50 and 220/60



# UNDER COUNTER HEATER PROOFER

Item No. _____
Approval: _____
Date: _____



HPC-3414  
HPIC-3414  
HPIS-3414

Our aluminum series commercial proofing, and heating cabinets are manufactured using the highest quality materials and components. The cabinets are constructed of anodized 6063 aluminum extrusion and sit on a .08" thick aluminum base with formed channels providing additional support. Doors are constructed using miter cut aluminum extrusion and .08" thick clear polycarbonate or double layer aluminum sheet. Heavy duty stainless steel hinges are standard. Bottom heating/proofing modules are made from .063 die formed aluminum and are easily removed for cleaning. Controls are simple to operate, and the bright LED display is easy to read. All under counter models come with corner bumpers and 3" swivel casters, the front two are equipped with locks to keep the cabinet in place during use.

BEVLES MODEL NO.	MATERIAL	WATTS	4 CASTERS TOP BRAKE ON FRONT 2 CASTERS	INSULATION	DOORS	PANS	DIMENSIONS (W"xD"xH")	SHIPPING WEIGHT LBS.
<b>3414 Series UNDER COUNTER HEATER PROOFER</b>								
HPC-3414 UPC: 845035020131	Anodized Aluminum	1500	5" / 12.7cm	NO	CLEAR	14	22.83 x 33.27 x 32.74in 57.99 x 84.51 x 83.16cm	92
HPIC-3414 UPC: 845035020148	Anodized Aluminum	1500	5" / 12.7cm	YES	CLEAR	14	22.83 x 33.27 x 32.74in 57.99 x 84.51 x 83.16cm	102
HPIS-3414 UPC: 845035020155	Anodized Aluminum	1500	5" / 12.7cm	YES	SOLID	14	22.83 x 33.27 x 32.74in 57.99 x 84.51 x 83.16cm	107

