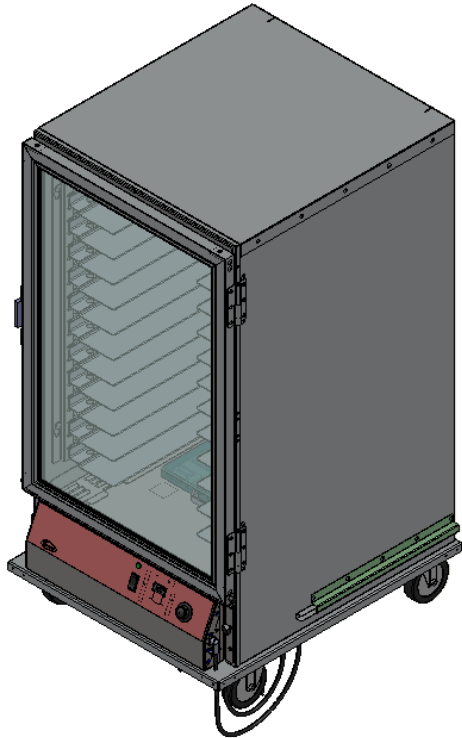




## Proofing and Holding Cabinet Insulated

Innovative Foodservice Equipment Custom Designed For Performance, Service, and Value.

Quality Proofing Cabinets  
for over **40** years



Model PHC60-24INS-A



INSULATED  
3/4 SIZE MODEL

PHC60-24INS-A

#### Standard Features:

- All aluminum construction
- Insulated top, sides and back
- Extruded pan supports accept a variety of pans and screens
- Removable heating module with separate controls for heat and humidity
- Maintains uniform temperature and humidity throughout cabinet
- "Cast-in" humidity system prevents element burnout from water spills and potential injury from accidental contact with exposed heating element
- Temperature adjustable from 60°F (15.6°C) to 180°F (82.2°C)
- Self-draining feature collects excess moisture into a standard bun pan (not included) below the base of the cabinet
- Completely removable interior components for quick and easy cleaning
- Heavy-duty plate-type casters with 5" hard neoprene wheels, front two with brakes
- 120V, 20A, 1PH service

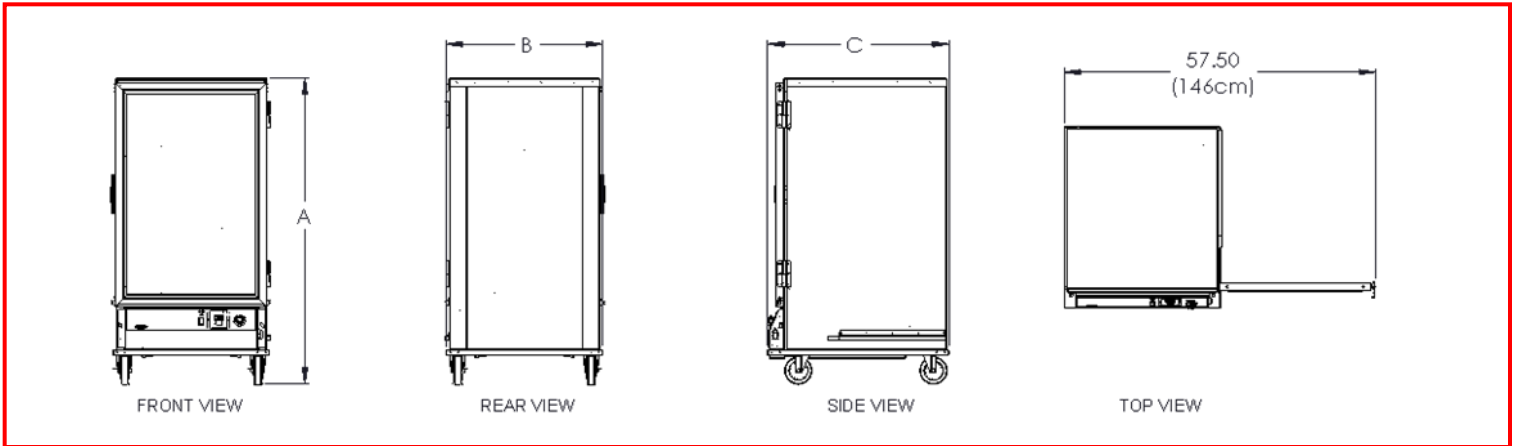


NEMA 5-20



# Proofing and Holding Cabinet Insulated

Item No. _____
Approval: _____
Date: _____



BEVLES MODEL NO.	CAPACITY			DIM A (H)		DIM B (W)		DIM C (D)		INSIDE HGT		SHIP WT.		ACTUAL WT.	
	18x26	12x20	*SPC'G	IN	CM	IN	CM	IN	CM	IN	CM	LBS	KGS	LBS	KGS
PHC60-24INS-A	12	24	3	56.50	144	29.00	74	33.50	85	40.00	120	260	118	210	95

\* Adjustable on 1.50" centers \*\* Also accommodates 19" x 19" and 23" x 23" screens

ELECTRICAL	VOLTAGE	WATTS	AMPS	ELECTRIC SERVICE	PHASE	HERTZ	CLEARANCES
STANDARD	120	2000	16.7	20A Dedicated Circuit	1	60	ZERO CLEARANCE CABINET
OPTIONAL	208-230	2000	9.7/8.7	15A Dedicated Circuit	1	50/60	ZERO CLEARANCE CABINET

**CABINET:**

- Body: .063 Formed aluminum
- 1.50" Thick insulation Top, back, and sides
- Door: Clear Lexan® with an extruded aluminum frame
- Door Latch and Hinges: Positive action door latch with heavy-duty stainless steel hinges
- Door Gasket: Closed cell foam
- Base: .125 Formed aluminum
- Rear (Air Duct) Panel: .063 Formed aluminum

**PAN SUPPORTS:**

- Pan Supports: Aluminum pan supports adjustable on 1.50" centers

**HEATING MODULE & CONTROLS:**

- Bottom mounted heating unit with a one (1) piece modular drop-in design blower assembly, easily removable for maintenance and cleaning
- Air heating element rated at 1600watts
- Humidity heating element rated at 400 watts
- 5 quart (4.7 liter) cast water reservoir
- Lexan® water reservoir cover
- Easy to operate controls feature digital thermostat, variable humidity control and LED display
- All controls are visible and operable from exterior of cabinet

**ELECTRICAL:**

- 20 Amp Switch, and pilot light:
- Cord and Plug: 8' cord with 20A molded plug (NEMA 5-20P); 208/230 volt models provided with cord only

**CASTERS:**

- Heavy-duty plate type casters, with 5" hard neoprene wheels; all swivel, with wheel brakes on front two casters

**OPTIONS AND ACCESSORIES**

- Door hinging
- Solid doors
- Dutch doors (2)
- Corner bumpers of gray non-marking vinyl (set of 4)
- Perimeter bumper of gray non-marking vinyl
- Additional extruded universal pan supports
- 6" stainless steel legs with adjustable feet for stationary floor installation\*
- 5" casters with hard neoprene or polyurethane wheels
- 18" x 26" chrome electroplated wire racks

\* Note: Modifications involving casters or legs may affect the height of the equipment. Specifications subject to change without notice

**BEVLES COMPANY, INC.**

1525 East Lake Road, Erie, PA 16511 • Toll Free: (800) 840-9577 • Fax: (800) 548-9392 • www.bevles.com • sales@bevles.com