



PROOFER / HOT CABINET Non-Insulated

Model: □ PHC70-MP17

Design Features

Add Increased Efficiency!

- Proof or hold with adjustable temperature from 80°F (27°C) to 180°F (82°C)
- Maintains uniform temperature throughout cabinet
- "Cast-in" humidity system prevents element burnout from water spills and potential injury from accidental contact with exposed heating elements
- Self-draining feature collects excess moisture into a standard 18" x 26" bun pan (not included) below the base of the cabinet
- Completely removable interior components for quick and easy cleaning

Quality Construction

- Aluminum construction
- Full-length Lexan® door with heavy-duty hinges, positive closing latch and perimeter gasket
- Extruded universal pan supports accept a variety of pans and screens
- Removable heating module with separate controls for heat and humidity
- Heavy-duty plate-type casters with 5" hard neoprene wheels, front two with brakes
- One piece, formed base with welded corners



Options & Accessories

- Door hinging
- Corner bumpers
- Perimeter bumper
- Dutch doors
- Drip trough

Warranty & Certifications

Parts and Service Warranty

- Protected by BevLes 2 year parts and 1 year service warranty

Certified by the following:

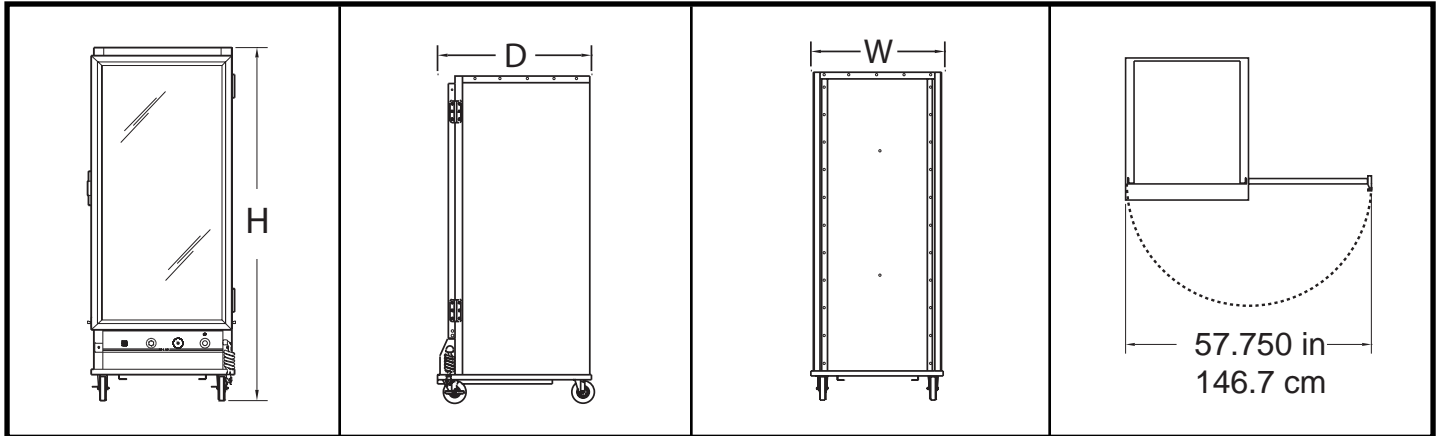




PROOFER / HOT CABINET

Non-Insulated

Model: PHC70-MP17



Model	Capacity			Dimensions			Ship Wt.	Act. Wt.
	18x26	12x20	SPC'G*	H	W	D		
PHC70-MP17	17	34	3"	71.5" (181.6 cm)	29" (73.7 cm)	33.5" (85.1 cm)	205 lbs (93 kg)	180 lbs (81.6 kg)

Electrical	Voltage	Watts	Amps	Electric Service	Phase	Hertz	Clearances
Standard	120	2000	16	20A Dedicated Circuit	1	50/60	Zero Clearance Cabinet
Optional	208/240	2000	8	15A Dedicated Circuit	1	50/60	Zero Clearance Cabinet

*Adjustable on 1 1/2" centers **Also accommodates 19" x 19" and 23" x 23" screens

Construction:

- **Body:** .063 aluminum
- **Door:** Clear Lexan® with an extruded aluminum frame
- **Door Latch and Hinges:** Patented positive action door latch with heavy-duty stainless steel hinges
- **Door Gasket:** Closed cell foam
- **Base:** .125 aluminum
- **Rear (Air Duct) Panel:** .063 aluminum

Pan Support Assembly:

- **Pan Supports:** Extruded universal pan supports adjustable on 1 1/2" centers
- **Uprights:** .100 aluminum slotted on 1 1/2" centers

Electrical:

- 120V-20A, 1PH service
- Optional 208/240V-20A, 1PH service
- **Switch:** Heavy-duty, 20 Amp, with water shed seal
- **Cord and Plug:** 8' cord with 20A molded plug (NEMA 5-20P); 208/240V models provided with cord only

Heating Module and Controls:

- Bottom mounted heating unit with a one (1) piece modular drop-in design blower assembly
- Entire bottom mounted heating unit is easily removable for cleaning and maintenance
- Air heating element rated at 1600W, 120V
- Humidity heating element rated at 400W, 120V
- 5 quart (4.7 liter) cast water reservoir
- Lexan® water reservoir cover
- Easy to operate controls feature precision thermostat, variable humidity control and dial thermometer
- All controls are visible and operable from exterior of cabinet

Castors:

- Heavy-duty plate type casters, with 5" hard neoprene wheels; all swivel, with wheel brakes on front two casters

Shipping:

- Freight Class: 85
- FOB: Erie, PA 16511

* Note: Modifications involving casters or legs may affect height of equipment. Specifications subject to change without notice.

